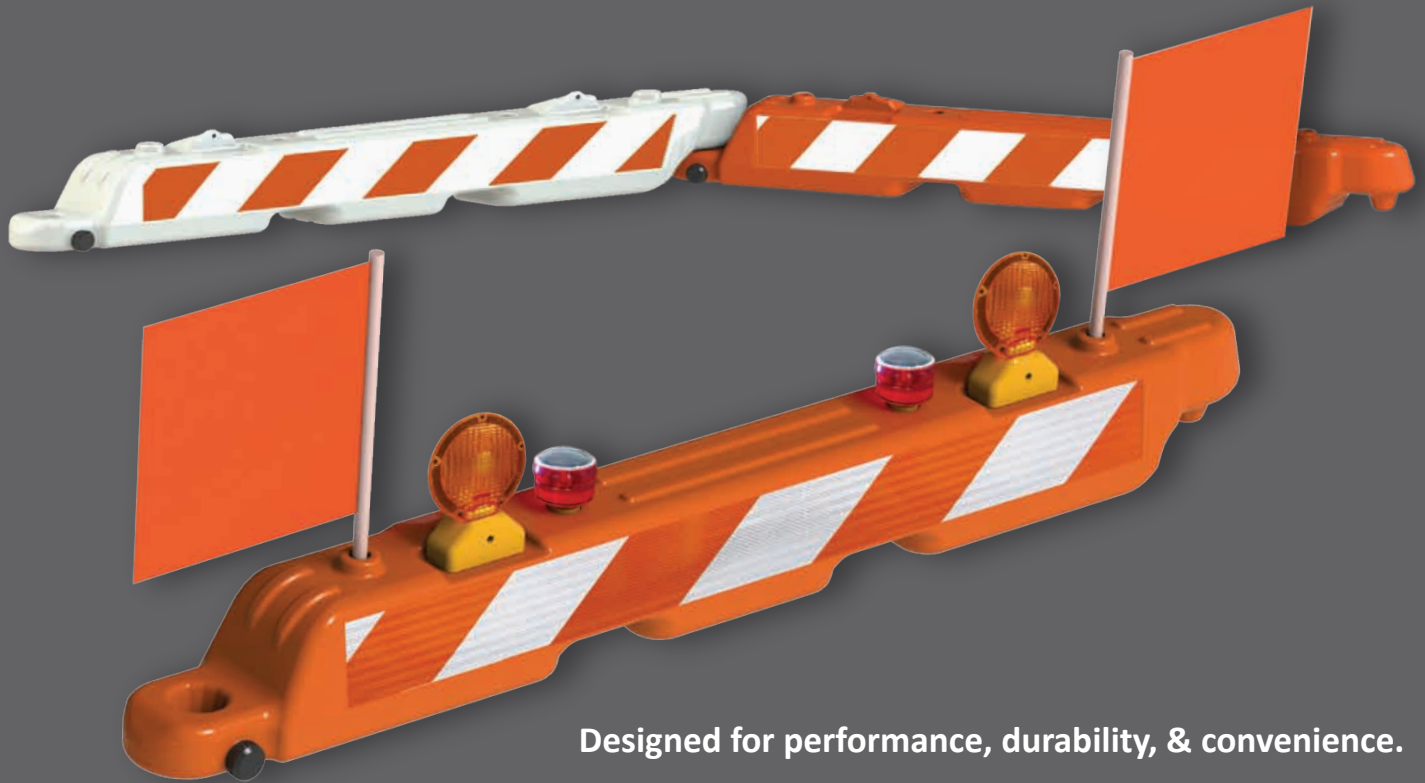


LO-PRO™ AIRPORT BARRICADE

Low-profile interlocking
barricade system used to
close taxiways, runways, and
delineate construction areas



Designed for performance, durability, & convenience.

- 8 ft. long and 10 in. high barricade, units interlock
- Durable construction, 25 lbs.
 - enhanced wall thickness on barricade bottom
 - molded reinforcing ribs add stiffness and strength
- Connectors are molded into the barricade, no pins to lose
 - allows interconnected units to pivot in multiple orientations between 90° and 180°
- 7° angled sidewall
 - facilitates visibility
 - accepts 72" L x 6" H continuous retroreflective sheeting
- Fill with up to 220 lbs. (26 gallons) of water
 - two fill holes and one drain hole
- Accepts two styles of lights
 - 360° round, screw on airport lights
 - standard barricade, bolt on lights
- Two flag mounts
- FOD (foreign object debris) Free
- Forklift access, recessed areas at bottom of barricade
- Stackable for transportation and storage
 - multiple stacking lugs keep units in place while stacked
- FAA Advisory Circular No. 150/5370-2F compliant



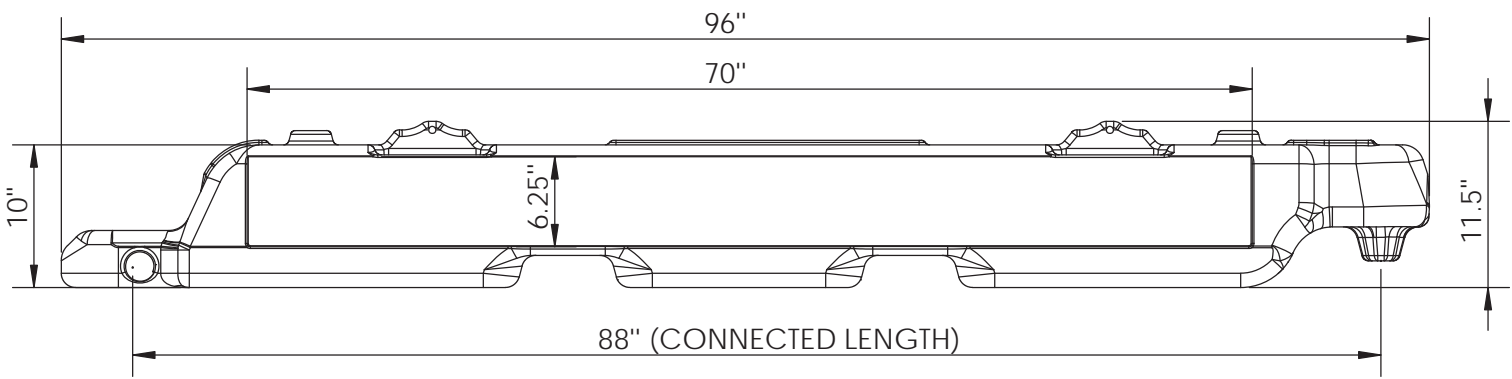
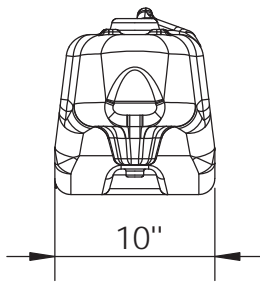
360° Red Solar LED
Airport Lights
Available

PLASTICADE®

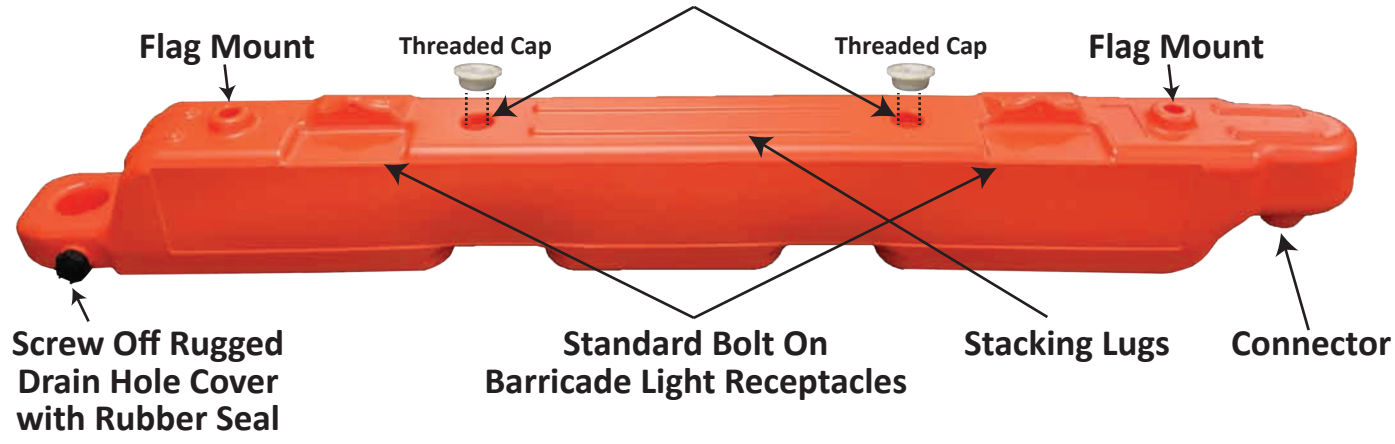
LO-PRO™ AIRPORT BARRICADE

Specs

Composition	High Density Polyethylene
Weight	25 lbs.
Color	Orange & White, other colors available with minimum purchase quantity
Retroreflective Sheeting	72"L x 6"H striped sheeting available in High Intensity Prismatic Grade and Diamond Grade
Lights	Each unit accepts two standard barricade lights (needs 4" bolt) and two 360° round airport lights
Flags	Each unit accepts two 3/4" diameter post flags



**Water Fill Holes with Screw On Caps
Double as 360° Round Airport Light Receptacles**



No Tools Needed!

PLASTICADE®
 7707 Austin Avenue
 Skokie, IL 60077
 phone (800) 772-0355
 fax (847) 966-8074
Plasticade.com
**LoPro is
 MADE IN THE USA**

